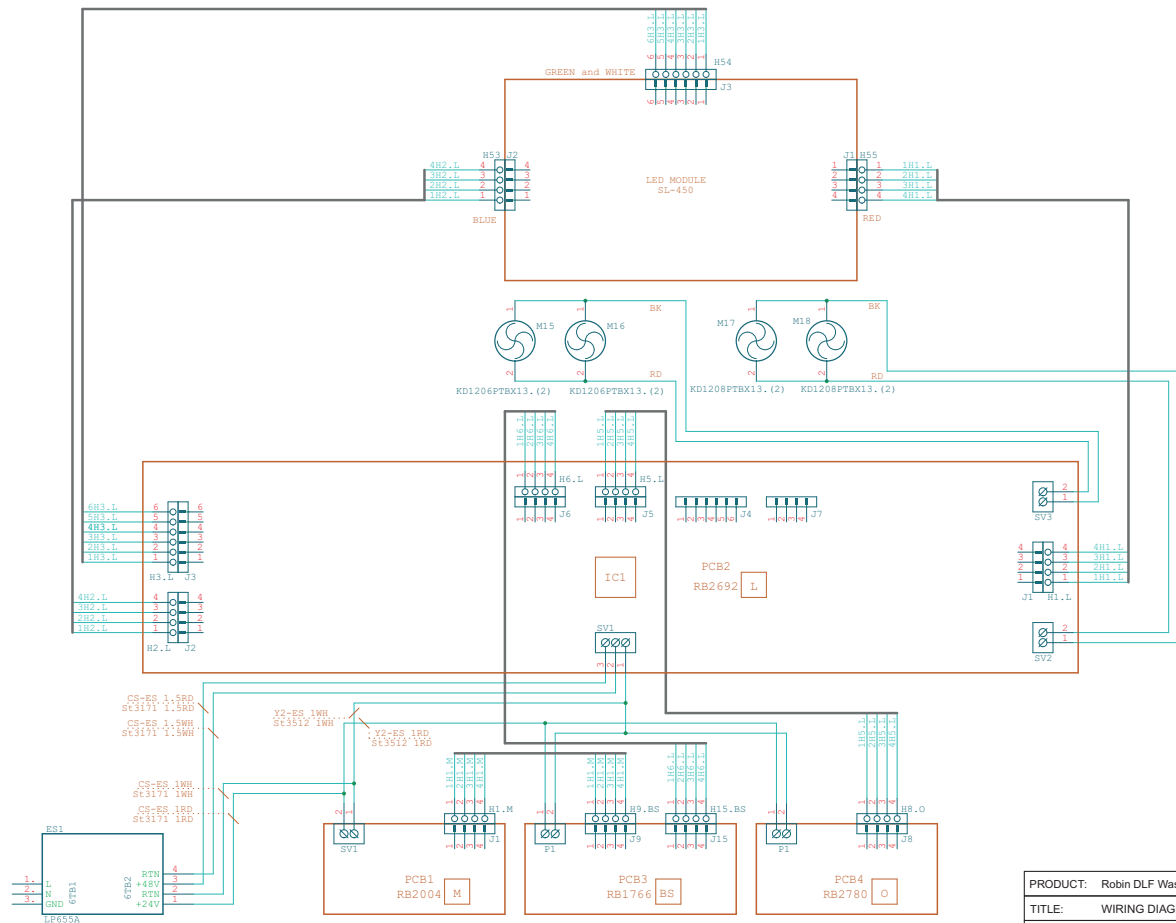
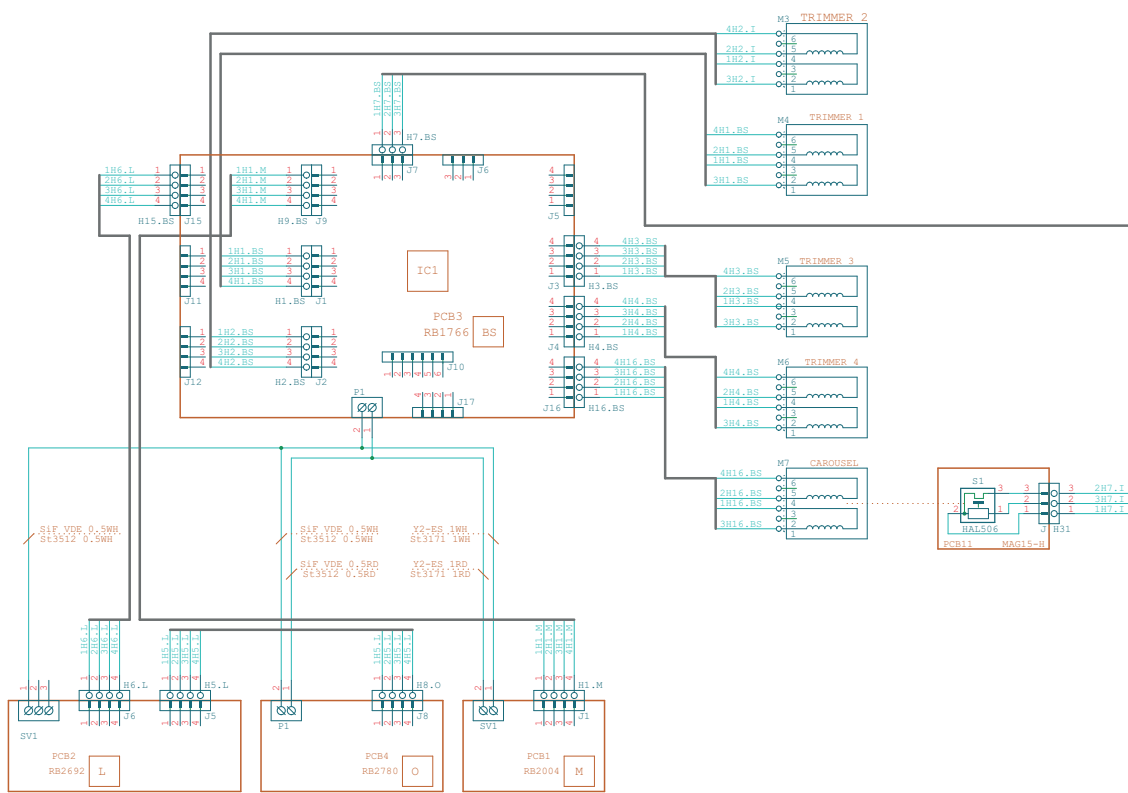


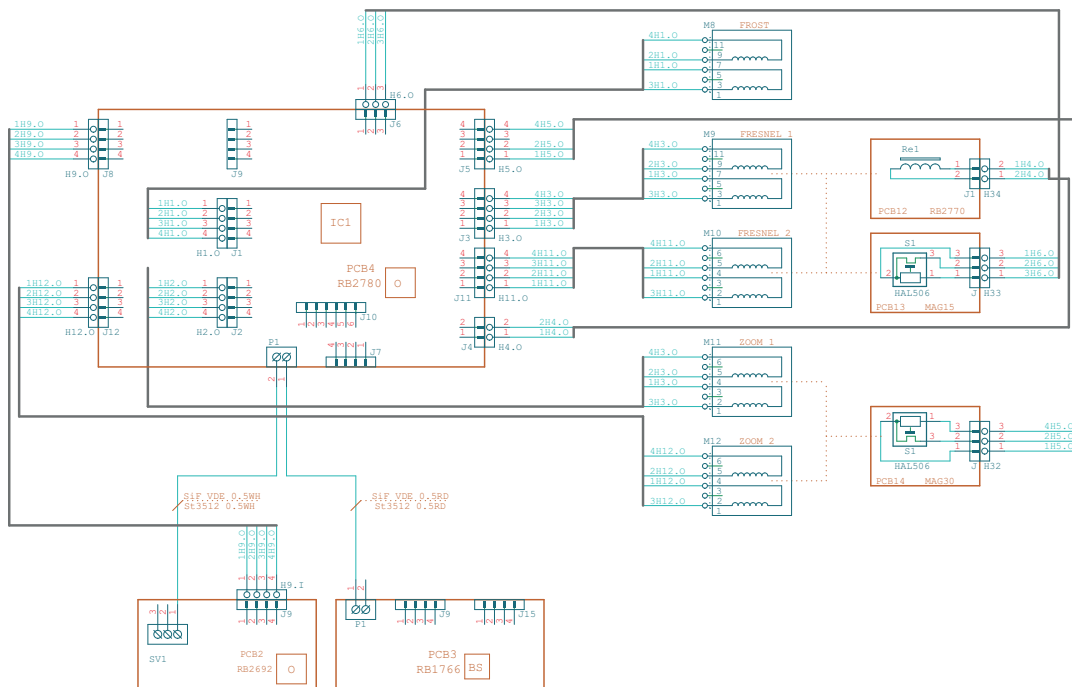
PRODUCT:	Robin DLF Wash
TITLE:	WIRING DIAGRAM
DOCUMENT:	Basic Section E1 V 1.1
VERSION:	1
DATE:	30.08.2012
SHEET:	01 OF 10



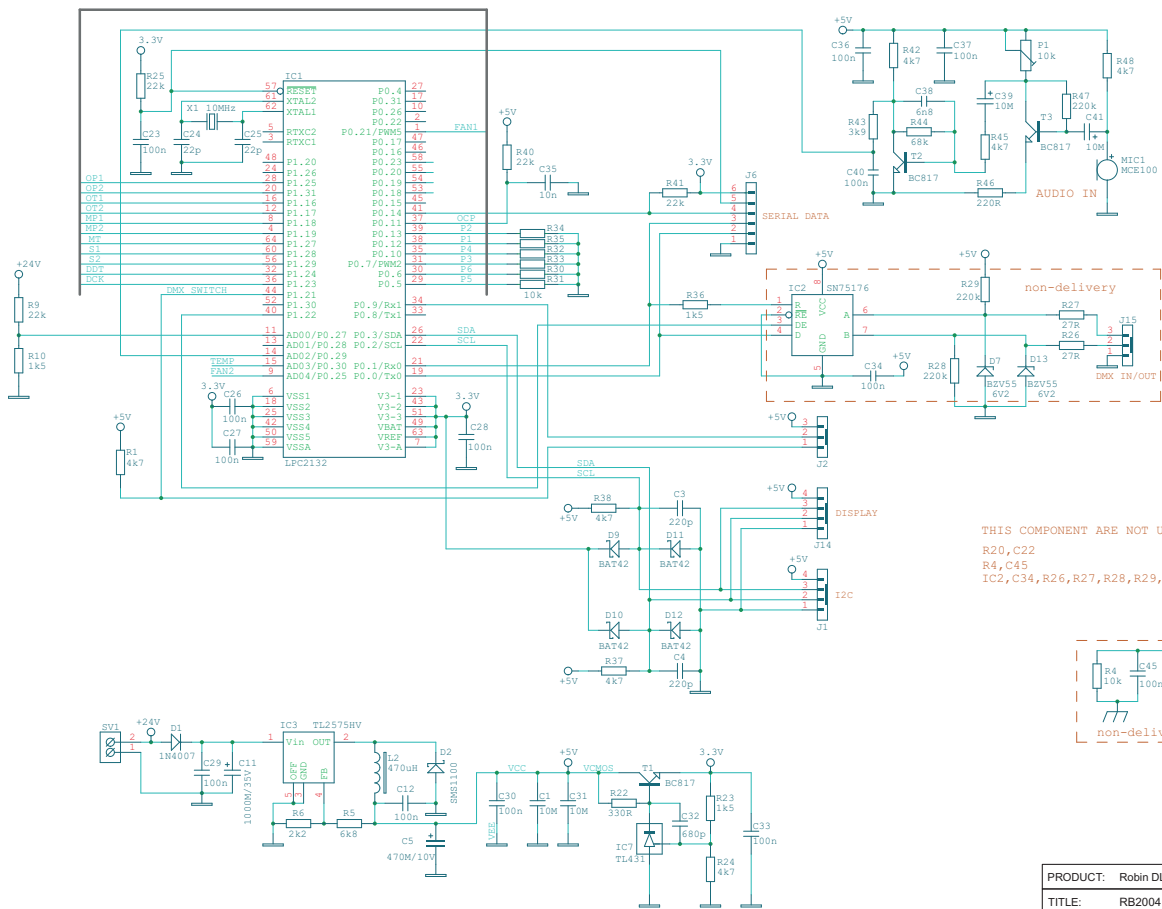
PRODUCT: Robin DLF Wash		
TITLE: WIRING DIAGRAM		
DOCUMENT: LED Section E2 V 1.1		
VERSION: 1	DATE: 30.08.2012	SHEET: 02 OF 10



PRODUCT: Robin DLF Wash		
TITLE: WIRING DIAGRAM		
DOCUMENT: Trimmer Section E3 V 1.1		
VERSION: 1	DATE: 30.08.2012	SHEET: 03 OF 10

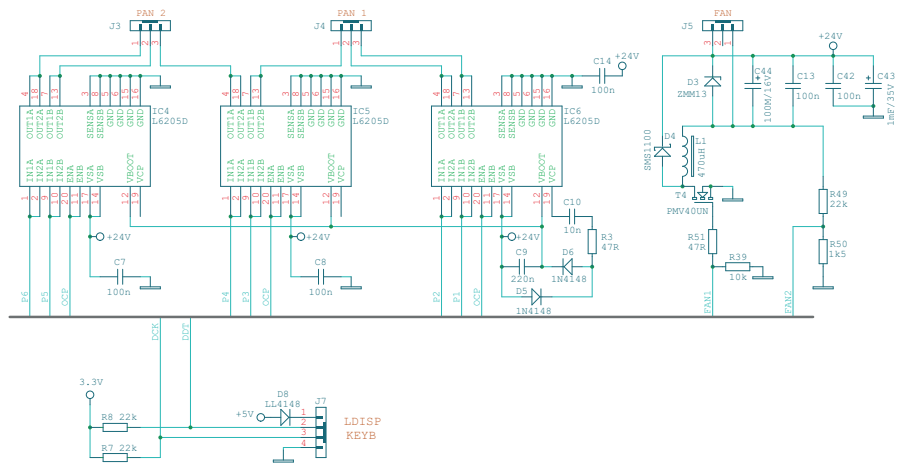
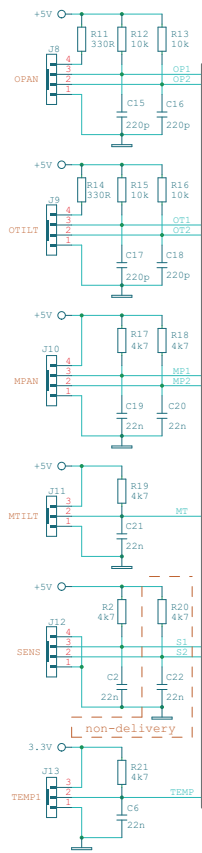


PRODUCT: Robi DLF Wash		
TITLE: WIRING DIAGRAM		
DOCUMENT: Zoom Section E4 V 1.1		
VERSION: 1	DATE: 30.08.2012	SHEET: 04 OF 10

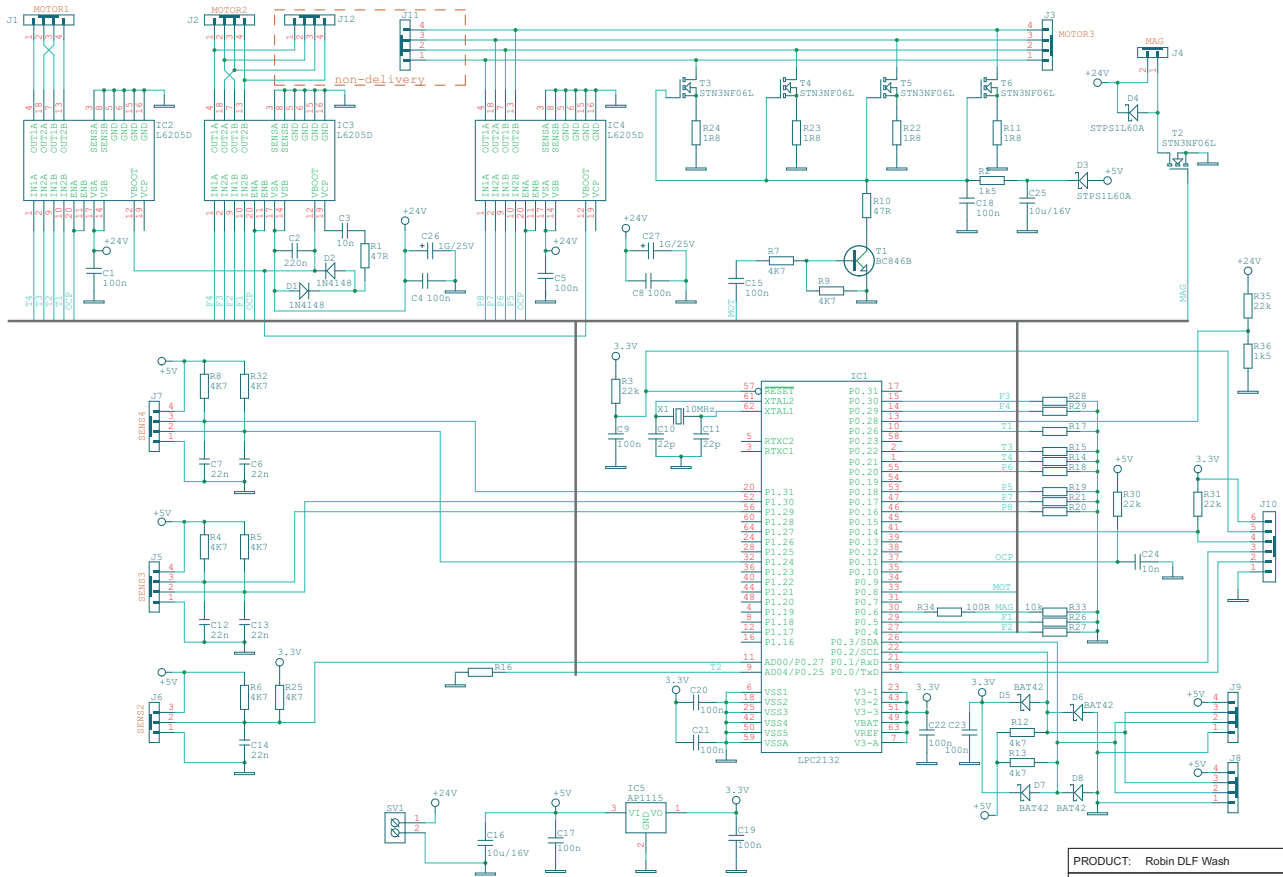


THIS COMPONENT ARE NOT USED  
 R20, C22  
 R4, C45  
 IC2, C34, R26, R27, R28, R29, D7, D13, J15

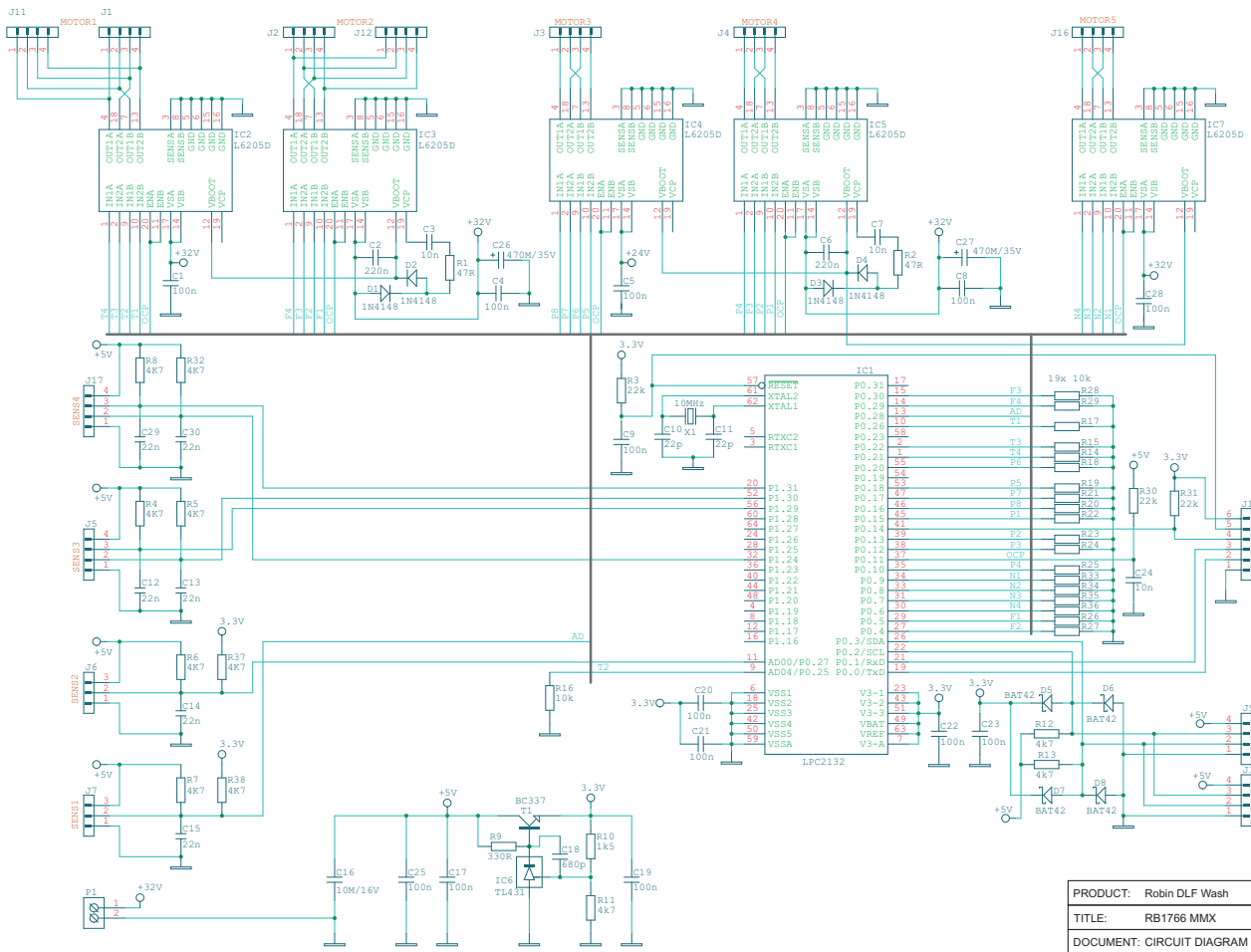
PRODUCT:	Robin DLF Wash		
TITLE:	RB2004 - part 1		
DOCUMENT:	CIRCUIT DIAGRAM		
VERSION:	1	DATE:	30.08.2012
		SHEET:	05 OF 10



PRODUCT: Robin DLF Wash		
TITLE: RB2004 - part 2		
DOCUMENT: CIRCUIT DIAGRAM		
VERSION: 1	DATE: 30.08.2012	SHEET: 06 OF 10

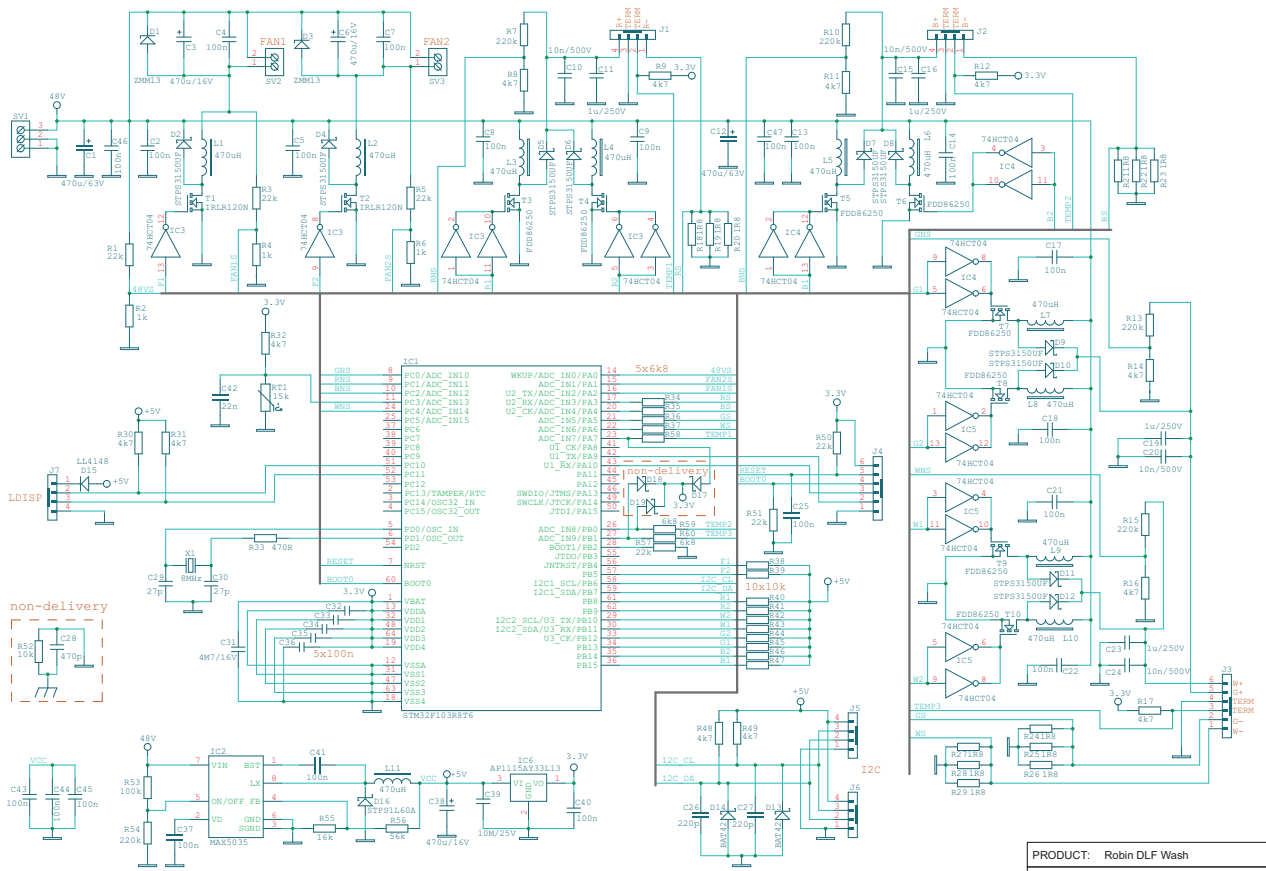


PRODUCT:	Robin DLF Wash		
TITLE:	RB2780		
DOCUMENT:	CIRCUIT DIAGRAM		
VERSION:	1	DATE:	30.08.2012
		SHEET:	07 OF 10

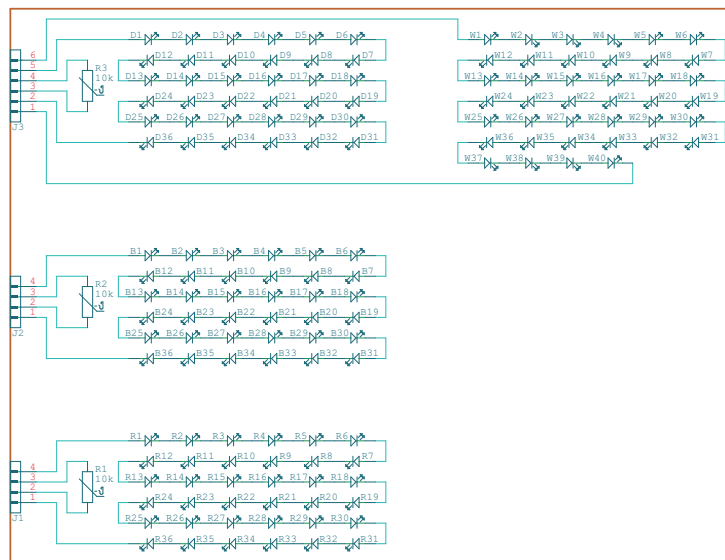


PRODUCT:	Robin DLF Wash		
TITLE:	RB1766 MMX		
DOCUMENT:	CIRCUIT DIAGRAM		
VERSION:	1	DATE:	30.08.2012
		SHEET:	08 OF 10





PRODUCT:	Robin DLF Wash
TITLE:	RB2692
DOCUMENT:	CIRCUIT DIAGRAM
VERSION:	1
DATE:	30.08.2012
SHEET:	09 OF 10



PRODUCT: Robin DLF Wash		
TITLE: Atria SL-450 RGBW		
DOCUMENT: CIRCUIT DIAGRAM		
VERSION: 1	DATE: 30.08.2012	SHEET: 10 OF 10